



A4 Sedan





You drive this.



You feel that.

Design and technology lead the way. Sporty and pioneering. United in the new Audi A4 Sedan. See for yourself.

Progressive design -

clear surfaces, sharp lines, distinctive style.

The powerful-looking front end, the three-dimensional Singleframe and the sporty, elegant design. The Audi A4 Sedan: exciting, inspiring, captivating.





The new Audi A4 Sedan with a new design language. Empathically sporty. Strikingly staged. By the straight roofline and the crisp, all-round shoulder line with gently tapering shadow edge.



New TFSI engines - breathtaking performance, lower fuel consumption.

TFSI

Audi TFSI engines attain a particularly high compression rate. The result: outstanding efficiency combined with optimum performance. Substituting supercharging for cubic capacity has the effect of considerably reducing engine size and weight - while performance remains as impressively dynamic as ever. For power delivery that will win you over from the word go.

S tronic

the sporty, efficient dual-clutch transmission that allows you to switch gears at lightning speed without a noticeable break in power.

Audi drive select

the standard Audi drive select lets you adjust the driving characteristics of your Audi A4 to suit your requirements. At the push of a button. Sportier, more comfortable, more balanced, more economical or even tailored to your requirements - you decide.

More power, lower fuel consumption. 2.0 TFSI engines of the latest generation. Powerful performance with reduced emissions. Experience driving dynamics and efficiency with virtually no compromise.

quattro -

enhanced dynamics, traction and safety.



Agility in everyday driving and beyond. Stick to the road. Wherever and whenever you want. With quattro permanent all-wheel drive. More traction in virtually every situation. Exhilarating dynamics. Thrilling handling characteristics that you won't ever want to lose.



Modern driver assistance systems - arrive more relaxed.

LED headlights

provides precise, near-daylight illumination of the road; combining LED dipped beam, high beam, daytime running lights, side indicators, and automatic-dynamic headlight range control.

Hold assist

holds the vehicle over an indefinite period of time on the uphill or downhill gradients usual in traffic. The system is activated via push button and allows the driver to drive away smoothly.

Parking system, plus

acoustic and visual parking system, front and rear, assists with parking and manoeuvring. Information is shown in the MMI display; measurement is by ultrasonic sensors integrated discreetly in the bumpers.



Interior design -

innovative architecture, sophisticated ambience,
impressive quality.

High-tech, functionality and design. Impressively and harmoniously combined in the interior. Exuding lightness and breadth. High quality materials, sophisticated tactile qualities and precision workmanship. Plus headroom, shoulder room and legroom that ensure a wonderful sense of space.

Virtual cockpit, real excitement.

Focus on the future of mobility. With the Audi virtual cockpit. Fully digital instrument cluster with high-resolution 12.3-inch colour display. A multifunction plus steering wheel with a high level of function and design. 14 buttons, many functions. Plus Audi MMI and MMI display in brilliant colour. Everything under control. Driver-oriented and tailored to you.



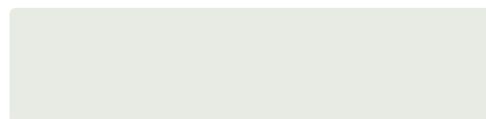


Functional interior -
comfortable environment,
generously spacious.



The interior concept of the new Audi A4 Sedan. Well thought-out down to the last detail. From the generous amount of space for all passengers through to the impressive luggage capacity. With sensor-controlled luggage compartment lid release. A movement of the foot is all that's required. For fast, convenient loading and unloading. Without having to search for the key.

Solid paint finishes

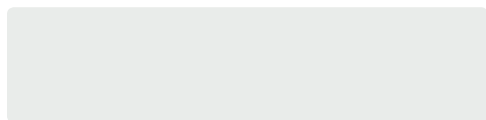


Ibis white



Brilliant black

Metallic paint finishes



Glacier white, metallic



Manhattan grey, metallic



Floret silver, metallic



Monsoon grey, metallic



Navarra blue, metallic



Mythos black, metallic



Tango red, metallic

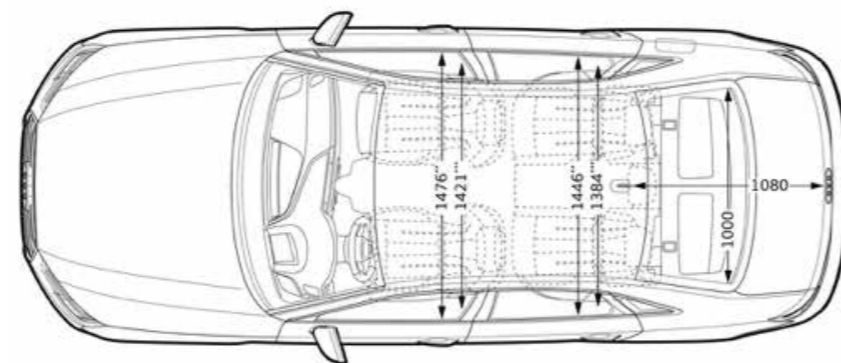
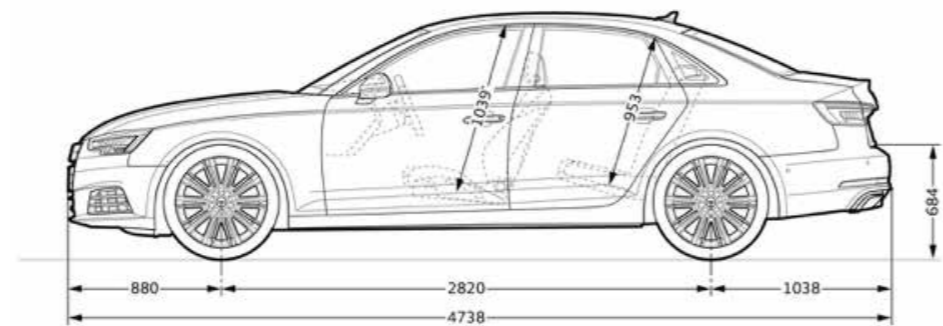
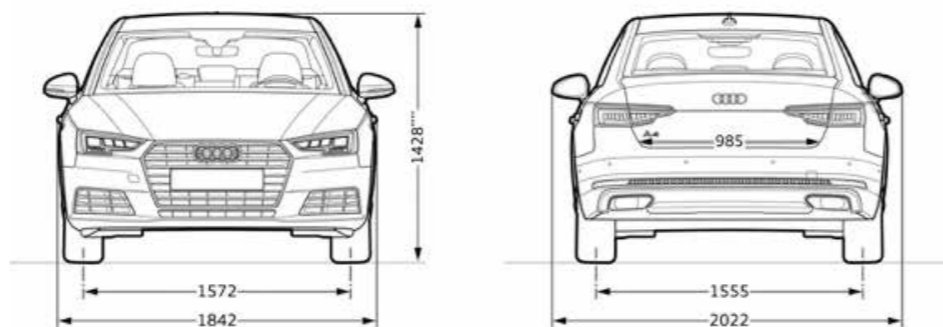


Matador red, metallic



Argus brown, metallic

Audi A4 Sedan



Dimensions in millimetres.

Dimensions measured with vehicle at unladen weight.
Luggage compartment volume: 480/965 l (measured by the VDA method using 200 x 100 x 50 mm blocks).
Turning circle approx. 11.6 m.
* Maximum headroom. ¹Elbow room width. ²Shoulder room width.

Model

Engine type

Displacement in cc (valves per cylinder)

Max. output in kW(hp) at rpm

Max. torque in Nm at rpm

Power transmission/wheels

Drive type

Transmission type

Weights/capacities

Kerb weight in kg

Max laden weight in kg

Permissible roof load limit

Fuel tank capacity

Performance/consumption

Top speed in km/h

Acceleration 0-100km/h in s

Fuel grade

Fuel consumption (combined) in l/100km

Emission standard

Audi A4 Sedan sport 2.0 TFSI quattro S tronic

4-cylinder inline petrol engine with direct fuel injection, turbocharging and Audi valvelift system

1,984 (4)

185 (252) / 5,000 - 6,000

370 / 1,600 - 4,500

quattro permanent all-wheel drive

7-speed S tronic transmission

1,510

2,080

90

58

250 (limited)

5.8

Sulphur-free super RON 95

6.2

EU6



Audi Sport cast alloy wheels, 5-double-spoke style, 8J x 18 with 245/40 R18 tyres.

Audi Malaysia

A business division of Volkswagen Group Malaysia ("VGM")

www.audi.com.my

Printed April 2019

The models and equipment versions illustrated and described in this brochure and some of the services listed are not available in all countries. Some of the cars illustrated are equipped with optional features for which an extra charge is made. Details concerning the delivery specifications, appearance, performance, dimensions and weights, fuel consumption and running costs of the vehicle were correct to the best of our knowledge at the time of going to press. Deviations from the colours and shapes shown in the illustrations may occur. No liability is accepted for errors and printing errors.

